

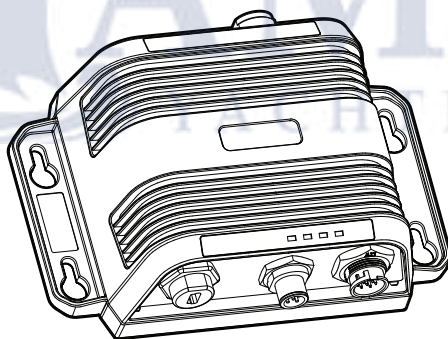
**LOWRANCE**

**SIMRAD**

**B&G**

# NAIS-500 Class B AIS Transceiver User Manual

ENGLISH





# Preface

---

As Navico is continuously improving this product, we retain the right to make changes to the product at any time which may not be reflected in this version of the manual. Please contact your nearest distributor if you require any further assistance.

It is the owner's sole responsibility to install and use the NAIS-500 AIS Class B Transceiver in a manner that will not cause accidents, personal injury or property damage. The user of this product is solely responsible for observing safe boating practices.

NAVICO HOLDING AS AND ITS SUBSIDIARIES, BRANCHES AND AFFILIATES DISCLAIM ALL LIABILITY FOR ANY USE OF THIS PRODUCT IN A WAY THAT MAY CAUSE ACCIDENTS, DAMAGE OR THAT MAY VIOLATE THE LAW.

Governing Language: This statement, any instruction manuals, user guides and other information relating to the product (Documentation) may be translated to, or has been translated from, another language (Translation). In the event of any conflict between any Translation of the Documentation, the English language version will be the official version of the Documentation.

This manual represents the product as at the time of printing. Navico Holding AS and its subsidiaries, branches and affiliates reserve the right to make changes to specifications without notice.

## Copyright

Copyright © 2017 Navico Holding AS.

## Warranty

The warranty card is supplied as a separate document.

## About this manual

Important text that requires special attention from the reader is emphasized as follows:

- **Note:** Used to draw the reader's attention to a comment or some important information.

**⚠ Warning:** Used when it is necessary to warn personnel that they should proceed carefully to prevent risk of injury and/or damage to equipment/personnel.

# Contents

---

## **1 Preface**

## **4 Notices**

4 Safety warnings

4 General notices

## **8 About your AIS class B transceiver**

8 About AIS

9 Static and dynamic vessel data

9 Important information for US customers

10 What's in the box?

## **13 Installation**

13 Preparing for installation

15 Installation procedures

## **23 Configuring your AIS transceiver**

23 Switching on your AIS transceiver for the first time

23 Configuring your AIS transceiver

24 Introduction to NAIS System Configurator

## **26 Operation**

26 Using the AIS transceiver

26 Switch functions

26 Using NAIS System Configurator with your AIS transceiver

27 Indicator functions

## **28 Troubleshooting**

## **29 Specifications**

## Table of figures

10	Figure 1	Items included with the product
11	Figure 2	AIS transceiver overview
12	Figure 3	Electrical connections to the AIS transceiver
13	Figure 4	Typical installation configuration
16	Figure 5	AIS transceiver dimensions
16	Figure 6	AIS transceiver mounting
17	Figure 7	GPS antenna mounting
17	Figure 8	Position of the GPS antenna connector
18	Figure 9	Position of the VHF antenna connector
20	Figure 10	Connecting an external switch
21	Figure 11	Connecting to the NMEA 0183 data port
22	Figure 12	Connecting the power supply
27	Figure 13	Indicator location on the AIS transceiver unit



# 1

## Notices

When reading this manual, please pay particular attention to warnings marked with the warning triangle. These are important messages for safety, installation and usage of the product.

### Safety warnings

**⚠ Warning:** This equipment must be installed in accordance with the instructions provided in this manual.

**⚠ Warning:** This AIS transceiver is an aid to navigation and must not be relied upon to provide accurate navigation information. AIS is not a replacement for vigilant human lookouts and other navigation aids such as RADAR. Also, take note that not all vessels will have an AIS transceiver turned on, or installed. The performance of the transceiver may be seriously impaired if not installed as instructed in the user manual, or due to other factors such as weather and or nearby transmitting devices. Compatibility with other systems may vary and is reliant on the third party systems recognizing the standard outputs from the transceiver. The manufacturer reserves the right to update and change these specifications at any time and without notice.

**⚠ Warning:** Do not install this equipment in a flammable atmosphere such as in an engine room or near to fuel tanks.

### General notices

#### Position source

All marine Automatic Identification System (AIS) transceivers utilize a satellite-based location system such as the Global Positioning Satellite (GPS) network. The accuracy of a GPS position fix is variable and is affected by factors such as the antenna positioning, the number of satellites used to determine the position and for how long satellite information has been received.

#### Compass safe distance

The compass safe distance of this unit is 0.55 m or greater for 0.3° deviation.

## RF emissions notice

- **Note:** The AIS transceiver generates and radiates radio frequency electromagnetic energy. This equipment must be installed and operated according to the instructions contained in this manual. Failure to do so can result in malfunctioning of the receiver or personal injury.
- **Note:** Never operate the AIS transceiver unless it is connected to a VHF antenna.

To maximize performance and minimize human exposure to radio frequency electromagnetic energy you must make sure that the antenna is mounted at least 1.5 meters away from the AIS transceiver and is connected to the AIS transceiver before power is applied.

The system has a Maximum Permissible Exposure (MPE) radius of 0.6 m. This has been determined assuming the maximum power of the AIS transceiver and using antennas with a maximum gain of 3 db.

The antenna should be mounted 3.5 m above the deck in order to meet RF exposure requirements. Higher gain antennas will require a greater MPE radius. Do not operate the unit when anyone is within the MPE radius of the antenna (unless they are shielded from the antenna field by a grounded metallic barrier). The antenna should not be co-located or operated in conjunction with any other transmitting antenna. The required antenna impedance is 50 ohms.

## Warranty

This product is supplied with standard warranty as defined in the accompanying warranty information.

**⚠ Warning:** Any attempt to tamper with or damage the product will invalidate the warranty.

## Disposal of this product and packaging

Please dispose of the AIS transceiver in accordance with the European WEEE Directive or with the applicable local regulations for disposal of electrical equipment.

Every effort has been made to ensure the packaging for this product is recyclable. Please dispose of the packaging in an environmentally friendly manner.

## Accuracy of this manual

The AIS transceiver may be upgraded from time to time and future versions of the AIS transceiver may therefore not correspond exactly

with this manual. Information contained in this manual is liable to change without notice. The manufacturer of this product disclaims any liability for consequences arising from omissions or inaccuracies in this manual and any other documentation provided with this product.

### **Declaration of conformity**

The manufacturer of this product declares that this product is in compliance with the essential requirements and other provisions of the 2014/53/EU Directive. The declaration of conformity is provided with the product document pack. The product carries the CE mark, notified body number and alert symbol as required by the 2014/53/EU Directive. The product is intended for sale in the countries listed under Specifications.

### **FCC notice**

This equipment has been tested and found to comply with the limits for a class B digital device, pursuant to part 15 of the FCC Rules. These limits are designed to provide reasonable protection against harmful interference in a residential installation. This equipment generates, uses and can radiate radio frequency energy and, if not installed and used in accordance with the instructions, may cause harmful interference to radio communications. This device complies with part 15 of the FCC Rules. Operation is subject to the following two conditions: (1) This device may not cause harmful interference, and (2) this device must accept any interference received, including interference that may cause undesired operation. Changes or modifications not expressly approved by the party responsible for compliance could void the user's authority to operate the equipment.

**⚠ Warning:** It is a violation of the rules of the Federal Communications Commission to input an MMSI that has not been properly assigned to the end user, or to otherwise input any inaccurate data in this device.



**Industry Canada notice**

This device complies with Industry Canada license-exempt RSS standard(s). Operation is subject to the following two conditions:

1. This device may not cause interference, and
2. This device must accept any interference, including interference that may cause undesired operation of the device.

This Class B digital apparatus complies with Canadian ICES-003.

Le présent appareil est conforme aux CNR d'Industrie Canada applicables aux appareils radio exempts de licence. L'exploitation est autorisée aux deux conditions suivantes :

1. L'appareil ne doit pas produire de brouillage, et
2. L'utilisateur de l'appareil doit accepter tout brouillage radioélectrique subi, même si le brouillage est susceptible d'en compromettre le Fonctionnement.

Cet appareil numérique de la classe B est conforme à la norme NMB-003 du Canada.



# 2

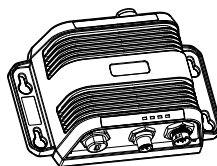
## About your AIS class B transceiver

### About AIS

The marine Automatic Identification System (AIS) is a location and vessel information reporting system. It allows vessels equipped with AIS to automatically and dynamically share and regularly update their position, speed, course and other information such as vessel identity with similarly equipped vessels. Position is derived from the Global Positioning System (GPS) and communication between vessels is by Very High Frequency (VHF) digital transmissions.

There are a number of types of AIS device as follows:

- **Class A transceivers.** These are similar to class B transceivers, but they are designed to be fitted on large vessels such as cargo ships and large passenger vessels. Class A transceivers transmit at a higher VHF signal power than class B transceivers and therefore can be received by more distant vessels, and also transmit more frequently. Class A transceivers are mandatory on all vessels over 300 gross tonnes on international voyages and certain types of passenger vessels under the SOLAS regulations.
- **Class B transceivers.** Similar to class A transceivers in many ways, but are normally lower cost due to the less stringent performance requirements. Class B transceivers transmit at a lower power and at a lower reporting rate than class A transceivers.
- **AIS base stations.** AIS base stations are used by Vessel Traffic Systems to monitor and control the transmissions of AIS transceivers.
- **Aids to Navigation (AtoN) transceivers.** AtoNs are transceivers mounted on buoys or other hazards to shipping which transmit details of their location to the surrounding vessels.
- **AIS receivers.** AIS receivers will generally receive transmissions from class A transceivers, class B transceivers, AtoNs and AIS base stations but do not transmit any information about the vessel on which they are installed.
- This NAIS-500 product is an AIS Class B transceiver.



NAIS-500

## Static and dynamic vessel data

There are two categories of information transmitted by an AIS transceiver: static and dynamic data.

The vessel's dynamic data, which includes location, speed over ground (SOG) and course over ground (COG), is calculated automatically using the installed AIS antenna.

Static data is information about the vessel which must be programmed into the AIS transceiver. This includes:

- Maritime Mobile Service Identity (MMSI)
- Vessel name
- Vessel call sign (if available)
- Vessel type
- Vessel dimensions

In most countries the operation of an AIS transceiver is included under the vessel's marine VHF license provisions. The vessel on to which the AIS unit is to be installed must therefore possess a current VHF radiotelephone license which lists the AIS system, vessel Call Sign and MMSI number.

**⚠ Warning:** An MMSI number is required in order for the AIS transceiver to operate. Please contact the relevant authority in your country for more information.

## Important information for US customers

There are specific laws in the USA regarding the configuration of AIS class B transceivers. If you are a US resident and intend to use your AIS class B transceiver in US waters, you should make sure that your retailer has configured your product prior to supplying it to you. If your AIS transceiver has not been pre-configured, please contact your dealer for details of how to have it configured.

**⚠ Warning:** In the United States of America, the MMSI and static data must only be entered by a competent installer. The end user of the equipment is not authorized to enter their own vessel data.

## What's in the box?

Figure 1 shows the items included with your AIS transceiver purchase. The following sections will give a brief overview of each item. Please ensure all items are present. If any of the items are missing, please contact your dealer.

→ **Note:** Optional items are included only in NAIS-500 kit: 000-13609-001.

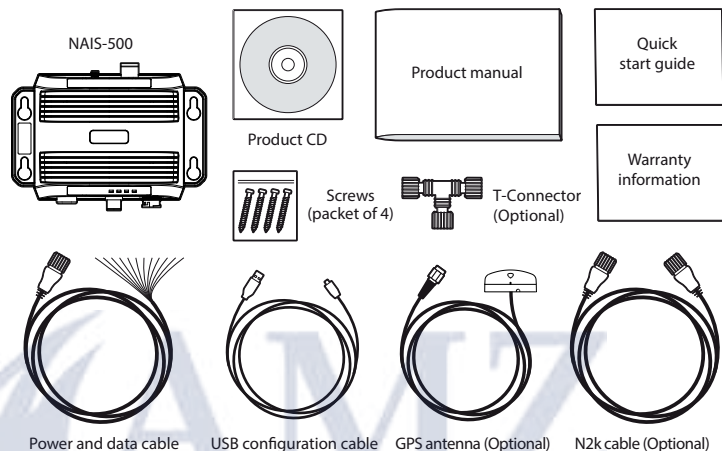


Figure 1 Items included with the product

### Support tools CD

The CD supplied with the package contains the following:

- NAIS System Configurator software tool necessary to configure the AIS transceiver. Please refer to section 4 for details of the configuration process and how to use the NAIS System Configurator tool.
- USB drivers required to connect to the AIS transceiver via USB.
- Alternative language versions of this manual.

### Quick start guide

The quick start guide gives a handy one-page reference for the installation process.

### Product manual

This document is the product manual and should be read thoroughly prior to any attempt to install or use the AIS transceiver.

### Fixing screws

Four fixing screws are provided with the product for mounting of the AIS transceiver. Please refer to the Installation procedures, chapter 3 for details of how to mount the AIS transceiver.

### AIS transceiver unit

Figure 2 shows an overview of the AIS transceiver unit.

The AIS transceiver has a number of indicators which provide information to the user about the status of the AIS transceiver. Please refer to Indicator functions, chapter 5 for more details.

The AIS transceiver has an external GPS antenna. You should ensure that the GPS antenna is mounted where it has a clear view of the sky.

### Power and data cable

The power and data cable connects to the AIS transceiver and enables connection to power, NMEA 0183 and an external silent mode switch.

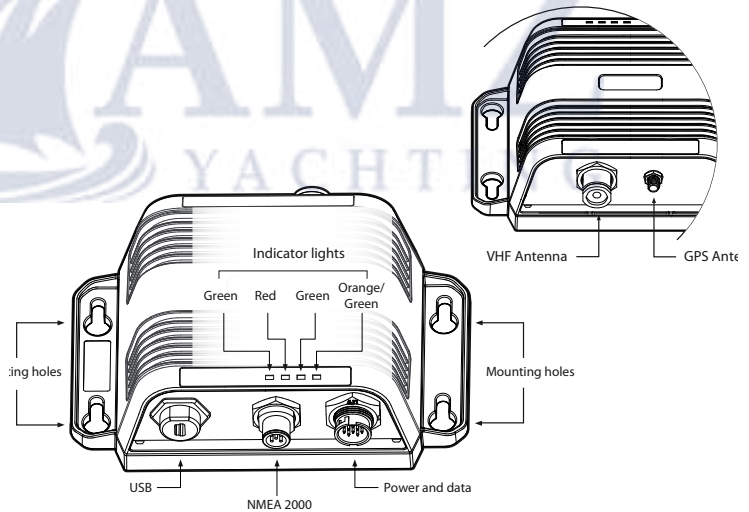


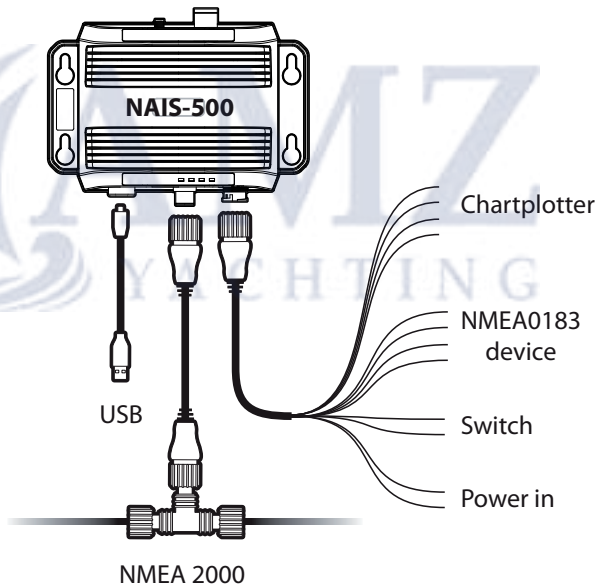
Figure 2 AIS transceiver overview

## Electrical connections

The AIS transceiver has the following electrical connections:

- Power supply
- Two independent NMEA 0183 data ports for connection to chartplotters and other NMEA 0183 compatible equipment
- USB port for connection to a PC or Mac
- External switch input for silent mode control
- NMEA 2000 port for connection to NMEA 2000 compatible equipment.

In addition, there are two other connections for the VHF antenna and the external GPS antenna. Figure 3 shows an overview of the electrical connections to the AIS transceiver.



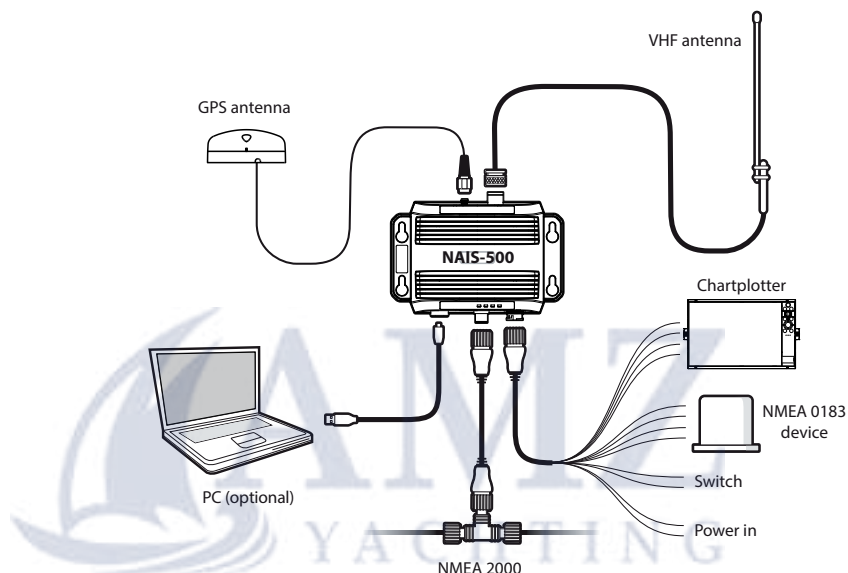
*Figure 3 Electrical connections to the AIS transceiver*

# 3

## Installation

### Preparing for installation

Figure 4 shows a typical installation configuration for the AIS transceiver. Please take the time to familiarize yourself with the system elements and their connections prior to attempting installation.



*Figure 4 Typical installation configuration*

In addition to the items provided with your AIS transceiver the following items will be required for installation:

#### VHF antenna

Connection to a suitable VHF antenna will be required for the AIS transceiver to operate. A standard marine band VHF antenna such as that used with VHF voice radios will be sufficient. Please take note of the warnings in section 1 regarding the use of antennas.

Alternatively, if you wish to use an existing VHF antenna, install a Navico NSPL-500 VHF Antenna Splitter, which allow the existing antenna to be used with two radio devices, such as a VHF voice radio and the NAIS-500 transceiver.

**⚠ Warning:** If using a VHF Antenna Splitter, you must use the NSPL-500 as it is specifically designed to work with the NAIS-500 transceiver. The use of third party antenna splitters may result in malfunction or permanent damage to the NAIS-500 transceiver.

### **Optional Silent Mode switch**

A switch can be connected to the transceiver to enable and disable 'silent mode' (see Step 4 and 5 in Installation procedures, chapter 3). A latching toggle switch is required to use this feature.

### **VHF antenna cable**

Please check that the VHF antenna you intend to use has sufficient cable to reach between the VHF antenna and the AIS transceiver unit. If it is not sufficient, you will need an extension cable. Please contact your dealer for details of suitable products. For reference, the VHF antenna connector type on the AIS transceiver unit is SO 239, and is intended to mate with a PL 259 connector. The required cable impedance is 50 ohms.

### **Power and data cable**

The AIS transceiver unit is supplied with a 2-meter-long power and data cable as an accessory. If you require longer cables to reach your power supply, please ensure the cables are capable of carrying currents of up to 2A peak and 200mA on average. Please contact your local qualified marine installer.

### **Chartplotters**

To display received AIS messages from other vessels on your chartplotter, you will need to connect your AIS transceiver to your chartplotter. Please refer to the user manual supplied with your chartplotter for details of how to connect and configure your chartplotter for use with AIS devices. For general guidance, your chartplotter should be configured to accept NMEA 0183 data at 38400 baud (sometimes referred to as 'NMEA HS' in the plotter configuration menu).

Alternatively, if you use an NMEA 2000 network on your vessel, you can connect the AIS transceiver to your NMEA 2000 network via the supplied cable. Refer to your chartplotter manual for making NMEA 2000 connection. You may also need to enable the display of AIS targets in the chart options.



## Connection to a PC or Mac

If you choose to use a PC or Mac with suitable charting software to display received AIS messages from other vessels, this can be accomplished by connecting to the USB connector on the AIS transceiver.

## Installation procedures

Before beginning the installation of your AIS transceiver, please ensure you have the necessary additional items as detailed in the previous section Preparing for installation. It is strongly recommended that you read all of the instructions in this manual prior to installation.

If, after reading this manual, you are unsure about any element of the installation process, please contact your dealer for advice.

The following sections explain the installation process step by step for each of the main elements of the system.

### Step 1 - Installing the NAIS-500 AIS transceiver

Please note the following guidelines when selecting a location for your AIS transceiver:

- The compass safe distance of this unit is 0.55 m or greater for 0.3° deviation.
- There should be adequate space around the AIS transceiver for routing of cables. See Figure 5 for details of the AIS transceiver dimensions.
- The ambient temperature around the AIS transceiver should be maintained between -15°C and +55°C.
- The AIS transceiver should not be located in a flammable or hazardous atmosphere such as an engine room or near fuel tanks.
- The AIS transceiver is fully waterproof to ingress protection rating IPx7. However, it is recommended that the AIS transceiver not be subjected to extended periods of exposure to spray or submersion.
- It is acceptable to mount the AIS transceiver either vertically or horizontally.
- It is recommended that the AIS transceiver is installed in a 'below deck' environment.
- The product is supplied with four selftapping screws for attachment of the AIS transceiver to a suitable surface. Please refer to Figure 6 for guidance.
- The AIS transceiver should be mounted in a location where the indicators are readily visible as these provide important information on the status of the AIS transceiver.

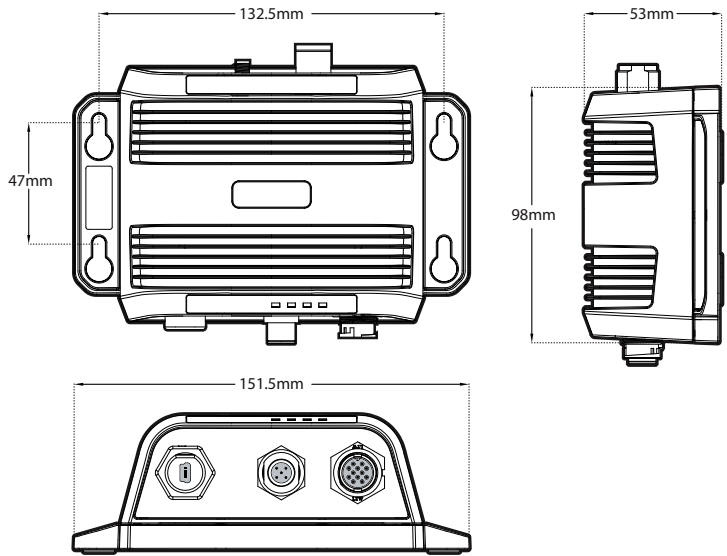


Figure 5 AIS transceiver dimensions

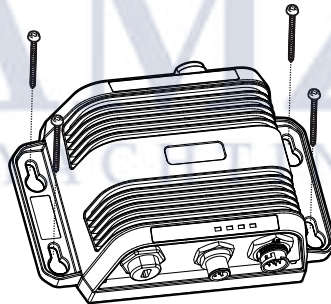


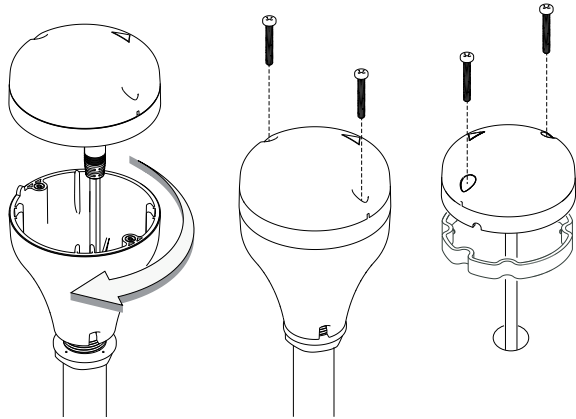
Figure 6 AIS transceiver mounting

## Step 2 - Installing the external GPS antenna

It is not recommended that the GPS antenna is mounted up a mast where the motion of the vessel will cause the antenna to swing and potentially reduce the accuracy of the GPS position. Also, do not mount the antenna in the direct path of a radar transmitter.

To **pole mount** the external GPS antenna, you will require a 1-inch 14 TPI thread pole.

- Feed the cable attached to the GPS antenna through the pole.
- Mount the pole into position as shown in Figure 7.
- Fit the GPS antenna to the pole adapter using the 2 small screws.

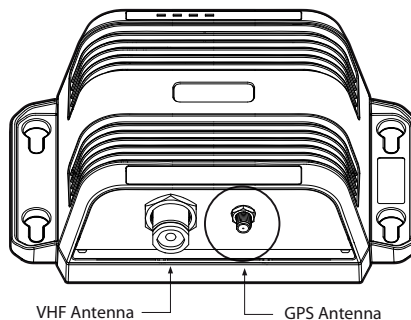


*Figure 7 GPS antenna mounting*

To **surface mount** the external GPS antenna, select a flat clean surface area that has a clear view of the sky. Mount the antenna using the supplied gasket and the 2 small screws.

- Mark and drill the 2 mounting holes and a further hole if necessary for the GPS cable.
- Install the gasket by firstly threading the attached cable through the center of the gasket.
- Screw the GPS antenna to the mounting surface.
- Route the cable to your AIS transceiver unit, adding any necessary extension cables.
- Connect the cable from the GPS antenna to the GPS connector on the AIS transceiver as shown in Figure 8.

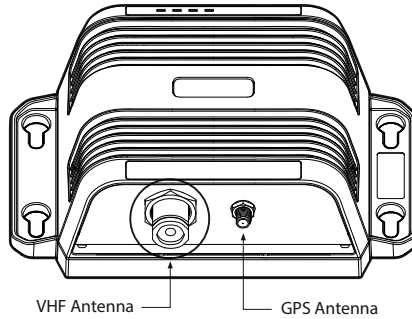
→ **Note:** Ensure the surface mounting area is clean with no dirt, old paint or debris.



*Figure 8 Position of the GPS antenna connector*

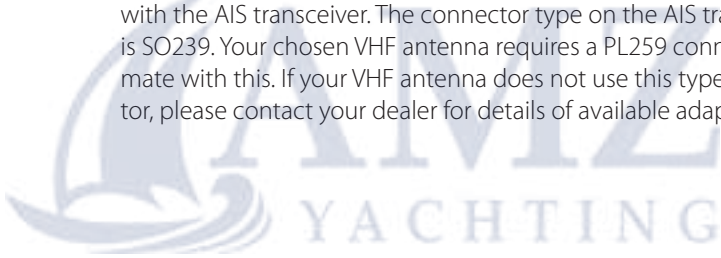
### Step 3 - Connecting the VHF antenna

Route the cable from the VHF antenna to the AIS transceiver and connect to the VHF connector on the AIS transceiver as shown in Figure 9.



*Figure 9 Position of the VHF antenna connector*

A standard marine band VHF antenna or AIS antenna should be used with the AIS transceiver. The connector type on the AIS transceiver is SO239. Your chosen VHF antenna requires a PL259 connector to mate with this. If your VHF antenna does not use this type of connector, please contact your dealer for details of available adaptors.



#### Step 4 - Connecting the accessory cable

An accessory cable is supplied with the product to provide connections to power, the external switch and the NMEA 0183 data ports. The cable has a pre-moulded connector at one end which should be connected to the connector on the unit marked 'PWR/0183'. The other end of the cable has eight color-coded bare wires ready for connection. The table below lists the function of each color-coded wire for reference.

Wire color	Pin no.	Description	Function
Red	8	Power in +	Power supply connections 12 V to 24 V DC
Black	9	Power in -	
Light green	12	Switch input-	External switch connection for silent mode
Orange	10	Switch input+	
Brown	1	NMEA 0183 port 1 TX+ (Transmit +)	High speed NMEA 0183 - Port 1: (38,400 baud) intended for connection to chartplotters
Blue	2	NMEA 0183 port 1 TX- (Transmit -)	
White	3	NMEA 0183 port 1 RX+ (Receive +)	
Green	4	NMEA 0183 port 1 RX- (Receive -)	
Purple	11	NMEA 0183 port 2 TX+ (Transmit +)	Low speed NMEA 0183 - Port 2: (4,800 baud) intended for connection to other NMEA 0183 compatible devices
Pink	7	NMEA 0183 port 2 TX- (Transmit -)	
Grey	6	NMEA 0183 port 2 RX+ (Receive +)	
Yellow	5	NMEA 0183 port 2 RX- (Receive -)	

*Color-coding of wires in the accessory cable*

**⚠ Warning:** Please check your wiring very carefully before applying power to the product. Failure to wire the product correctly could result in permanent damage.

### Step 5 - Connecting an external switch for Silent Mode operation

A toggle switch can be connected to the AIS transceiver to provide remote control of silent mode. Connect the toggle switch between the light green and orange wires as shown in Figure 10. Connection of an external switch to toggle silent mode is optional and not essential for normal operation of the product.

**Warning:** Do not connect a voltage source across the switch inputs, as this may damage the transceiver.

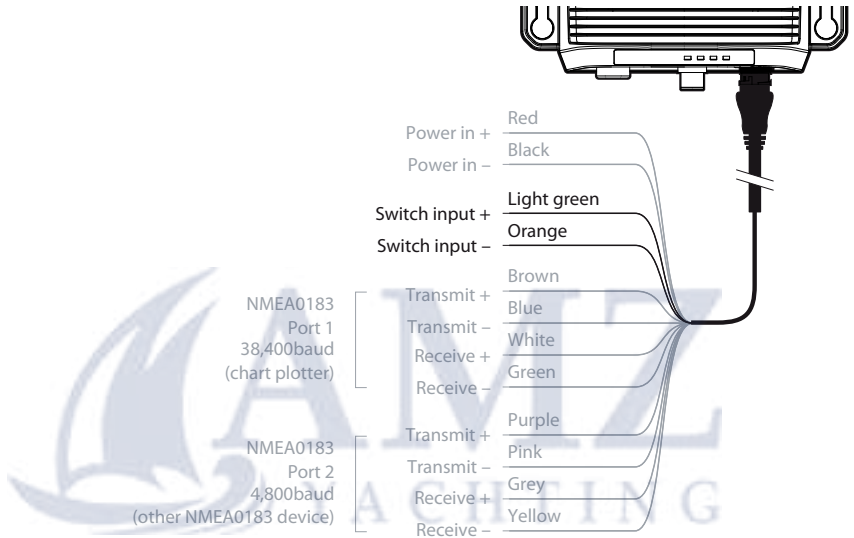


Figure 10 Connecting an external switch

### Step 6 - Connecting to NMEA 0183 compatible equipment

The two independent NMEA 0183 data ports provide connection to your chartplotter and other NMEA 0183 compatible equipment. Each port consists of four color-coded wires, as shown in the table (Step 4) and in the diagram in Figure 11. Connect the wires to the appropriate connections on your NMEA 0183 compatible equipment. Please refer to your equipment manual for more information.

The AIS transceiver has a high speed bi-directional port, which operates at 38,400 baud and a low speed bi-directional port, which operates at 4,800 baud. The high speed port is intended primarily to connect to a chartplotter, while the low speed port is intended to connect to other NMEA 0183 devices. A multiplexing feature is provided, which means any messages received via the low speed port are automatically transmitted via the high speed port and vice-

versa. This is particularly useful when using a chartplotter having only a single NMEA 0183 port. An additional sensor, such as a gyro-compass, can be connected to the AIS transceiver via the low speed port and the AIS transceiver can be connected via the high speed port to the chartplotter resulting in the chartplotter receiving both AIS information and heading information simultaneously. Please ensure your equipment is configured to use the correct baud rate for the port it is connected to.

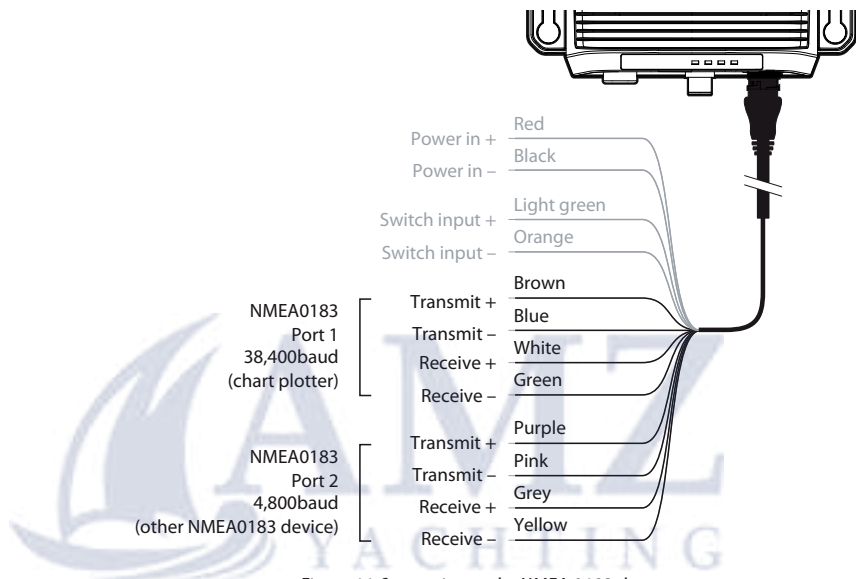


Figure 11 Connecting to the NMEA 0183 data port

### Step 7 - Connection to an NMEA 2000 network (optional)

The AIS transceiver can be connected to an NMEA 2000 network by a suitable Navico NMEA 2000 network cable. If your vessel has a NMEA 2000 network, please refer to the relevant documentation for your NMEA 2000 equipment. Once connected, and with your chartplotter also connected to your NMEA 2000 network, you will be able to receive AIS targets on your chartplotter.

### Step 8 - USB Connection (optional)

The AIS transceiver is supplied with a USB port for connection to a PC or Mac. The USB connector can be connected directly to the USB port on the PC or Mac via the supplied USB cable. To enable connection of the AIS transceiver to a PC, the USB drivers must be installed first.

Please install NAIS System Configurator as described in section 4 before attempting to connect the USB port to a PC.

Once installed the AIS unit can be connected to the PC. The USB device will be automatically detected and will appear as a new COM port device. Select this COM port and a baud rate of 38,400 in PC based navigation software to make use of the AIS data.

**⚠ Warning:** If the USB connection is removed from the PC or Mac during use, you must reset the connection before further use. To reset the connection: disconnect, then re-apply power to the AIS before closing and re-launching any PC or Mac applications using the USB connection. Finally, re-connect the USB cable between the PC or Mac and the AIS transceiver.

### Step 9 - Connection to a power supply

The AIS transceiver requires a 12V or 24V power supply, typically provided by the vessel's battery. It is recommended that crimped and soldered lugs are used to connect the AIS transceiver to the power source. It is recommended that the power supply is connected via a suitable circuit breaker and/or 3A fuse block.

1. Connect the red wire to a 12V or 24V power supply positive terminal.
2. Connect the black wire to the supply negative terminal.

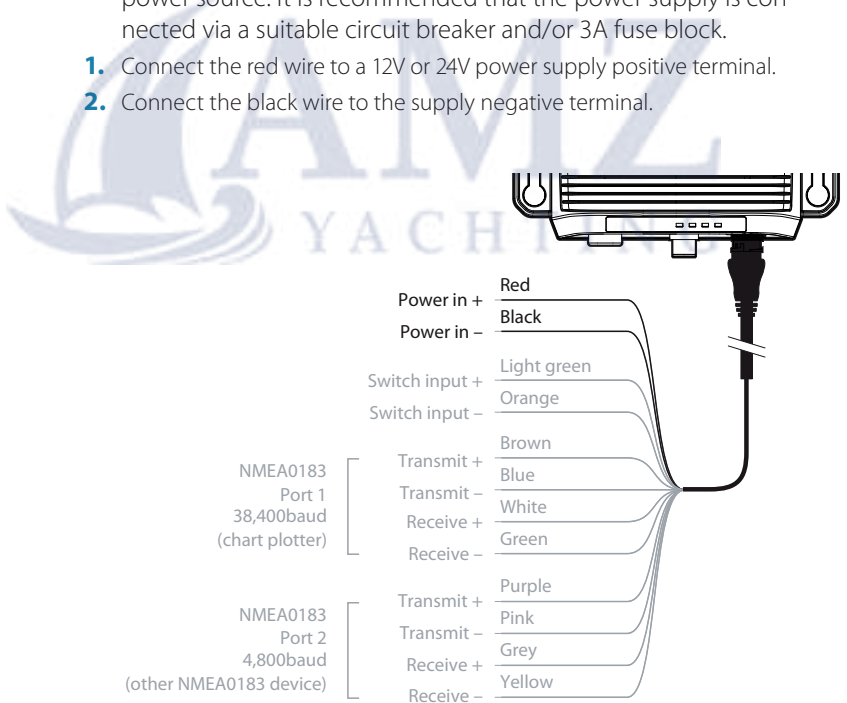


Figure 12 Connecting the power supply



# 4

## Configuring your AIS transceiver

Until correctly configured, your AIS class B transceiver will only receive AIS messages and will not transmit AIS messages.

### Switching on your AIS transceiver for the first time

A few seconds after applying power to the AIS transceiver, the indicators on the unit will illuminate in a pattern dependent on the configuration state of the unit. The function of the four LED indicators are:

Indicator	Light	Function
PWR	Green	Unit is powered up and operating normally
ERR	Red	Unit has experienced an error or invalid MMSI*
Rx	Green	Unit is receiving AIS data when flashing
Tx	Orange	Silent mode is activated

\*) See table in section 5 for details.

If the AIS transceiver has been pre-configured, the orange (Tx) indicator will illuminate until a transmission has been sent by the unit. This may take several minutes, as the transceiver must acquire a GPS position fix prior to transmitting its first message.

If the transceiver has not been pre-configured, the orange and red indicators will be illuminated until the configuration process has been completed.

### Configuring your AIS transceiver

There are two potential ways in which your AIS transceiver can be configured:

1. Configuration in advance by your dealer or installer. If your AIS transceiver has been configured for you by your dealer or installer, you can proceed to chapter 5.
2. Configuration using NAIS System Configurator.

Providing it is acceptable to do so under your local legislation, it is possible to configure your AIS transceiver yourself using the NAIS System Configurator software provided with the product.

**⚠ Warning:** US Customers only: It is a violation of the rules of the Federal Communications Commission for the end user to program the vessel data. The vessel data must only be programmed by a competent installer. If your AIS transceiver has not been pre-configured for you, please contact your dealer for advice on how to have the AIS transceiver configured by a competent installer.

## Introduction to NAIS System Configurator

Included in the CD supplied with your product is a software tool called 'NAIS System Configurator'. NAIS System Configurator provides the facility to configure, monitor and diagnose issues with your AIS transceiver. NAIS System Configurator can provide assistance when ensuring that a satisfactory GPS signal is being received.

See the sections immediately below for how to install NAIS System Configurator and how to configure the AIS transceiver using NAIS System Configurator. Further help on how to use the features of NAIS System Configurator can be found in the 'Help' menu within the NAIS System Configurator tool. NAIS System Configurator is designed to be installed and used with a PC or Mac connected to the AIS transceiver via USB using the supplied USB cable.

### Installing NAIS System Configurator - PC

1. Insert the CD into your PC, navigate to the "NAIS System Configurator", then the "Windows" folder and run the **setup.exe** file. Now follow the on-screen prompts.
2. If a security warning appears, click 'Run' to continue with the installation.
3. Once the installation is complete, NAIS System Configurator will launch automatically and a start menu folder and shortcut will be created for future use.

### Installing NAIS System Configurator - Mac

1. Insert the CD into your Mac, then navigate to the 'NAIS System Configurator' then the 'OSX' folder.
2. Double click the NAIS System Configurator.dmg file and then follow the on-screen instructions to complete the installation.

## Configuration using NAIS System Configurator

For configuration purposes only, it is possible to power the AIS transceiver via its USB connection. This is useful if you wish to configure your AIS transceiver away from the vessel power supply. The AIS transceiver will not transmit any data or acquire a GPS position fix whilst powered by USB.

You will require the following information in order to configure your AIS transceiver:

- MMSI
- Vessel name
- Vessel type
- Call sign

Vessel dimensions and position of your GPS antenna installation.

For further assistance in configuring your AIS transceiver, please refer to the Help menu within NAIS System Configurator.

**⚠ Warning:** Please ensure that you enter all vessel data accurately. Failure to do so could result in other vessels failing to identify your vessel correctly. The vessel MMSI can only be programmed once using NAIS System Configurator, please take care to program your MMSI correctly. If you need to change the MMSI for any reason, please contact your dealer who will arrange to have the MMSI reset.

# 5

## Operation

---

### Using the AIS transceiver

Once the unit has been configured, it is ready for use. Providing that other vessels with AIS transceivers installed are within radio range of your vessel, you should see their details appear on your chartplotter or PC. These vessels will also be able to see your vessel on their chartplotter or PC. It may take up to six minutes for your full vessel details to be visible to others.

Specific details of how to configure your chartplotter to make use of the AIS transceiver features will be given in your chartplotter manual. If you are using charting software running on a PC, please refer to the instructions provided with your chartplotting software for details of how to configure it to display AIS information.

### Switch functions

When connected to the AIS transceiver and by following the instructions in Step 4 and 5 under Installation procedures, chapter 3, an external switch provides the ability to set the AIS transceiver into 'silent mode'. In silent mode, the transmission of your own vessel position ceases, whilst the reception of other vessels' AIS position continues. You should use silent mode if you do not wish your vessel data to be received by other AIS devices. When silent mode is active, the orange light on Tx indicator will be illuminated.

**⚠ Warning:** When silent mode is active, other vessels will not be able to receive your vessel information on their AIS devices. Your navigational safety may be compromised as a result.

### Using NAIS System Configurator with your AIS transceiver

The NAIS System Configurator tool has a range of features to help monitor the performance of your AIS transceiver. To use the full range of features, your AIS transceiver must be installed as described in chapter 3 and connected to a PC, running the NAIS System Configurator application. Follow the instructions provided in the help menu within NAIS System Configurator.

## Indicator functions

The AIS transceiver includes four LED indicators, as shown in Figure 13. The state of the indicators provides information regarding the status of the AIS transceiver.

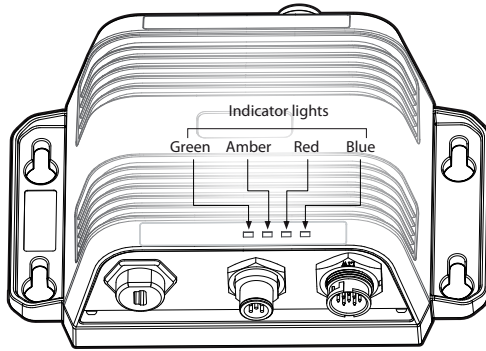


Figure 13 Indicator location on the AIS transceiver unit

The meaning of typical indicator configurations is shown in the table below and Figure 13 shows the orientation of the AIS transceiver.

Indicator	Light	Description
PWR	Green, steady	The transceiver has been powered up correctly.
ERR	Red, steady	MMSI is not properly programmed.
	Red, flashing	The transceiver has detected a system error. Also the state when connected to USB only for initial programming.
Rx	Green, flashing	The transceiver is receiving AIS data.
Tx	Orange, flashing	The transceiver is acquiring a GPS fix, no AIS transmission during this time period.  This can be the following situation:  The device is just newly powered on and is acquiring a GPS position fix prior to transmitting its first vessel information report. This process may take several minutes.  The GPS position fix has been lost. The device is attempting to re-acquire position fix for 30 minutes before entering a BILI system error state.
	Orange, steady	The transceiver is in silent mode, no AIS transmission at all.
	Green, flashing	The transceiver is transmitting AIS data. The flash interval is 3 minutes when vessel speed under 2 knots. The flash interval is 30 seconds when vessel speed above 2 knots.

# 6

## Troubleshooting

Issue	Possible cause and remedy
No data is being received by the chartplotter	<ul style="list-style-type: none"><li>• Check that the power supply is connected correctly.</li><li>• Check that the power supply is a 12 V or 24 V supply.</li><li>• Check that the connections to the chartplotter are correct.</li></ul>
No indicators are illuminated	<ul style="list-style-type: none"><li>• Check that the power supply is connected correctly.</li><li>• Check that the power supply is a 12 V or 24 V supply.</li></ul>
The Red 'error' indicator is illuminated	<ul style="list-style-type: none"><li>• The unit may not have a valid MMSI. Check that the AIS transceiver is correctly configured with a valid MMSI.</li><li>• The VHF antenna may be faulty. Check the connection to the VHF antenna and that the VHF antenna is not damaged. The red indicator may illuminate briefly if the power supply is interrupted or the VHF antenna characteristics are briefly affected.</li><li>• No GPS position fix can be obtained. Check that the external GPS antenna is properly connected and installed. Review the GPS signal strength graph available in NAIS System Configurator.</li><li>• The power supply is outside the allowable range. Check that the power supply is within the range 9.6 V to 31.2 V.</li><li>• If none of the above will correct the error condition, please contact your dealer for advice.</li></ul>
My MMSI is being received by other vessels, but my vessel name is not shown on their chartplotter or PC	Some older AIS devices and chartplotters do not process the specific class B AIS message, which provides the vessel name (message 24). This is not a fault of your AIS transceiver. Software upgrades are available for many older chartplotters which will correct this issue. The other vessel should update its AIS unit and/or chartplotting software to receive AIS message 24.

If the guidance given in the table above does not rectify the problem you are experiencing, please contact your dealer for further assistance.

# 7

## Specifications

Parameter	Value
Dimensions	152 x 98 x 52 mm (L x W x H)
Weight	260 g
Power	DC (9.6 V - 31.2 V)
	Average power consumption 180 mA at 12 VDC
	Peak current rating 2 A at 12 VDC
GPS receiver (AIS internal)	50 channel IEC 61108-1 compliant
Electrical interfaces	USB
	NMEA 0183, default 38,400 baud (bi-directional)
	NMEA 0183, default 4,800 baud (bi-directional)
	NMEA 2000 LEN=1
Connections	VHF antenna connector (SO-239)
	External GPS antenna connector (SMA)
	USB type mini-B
	NMEA 2000 standard connector
	12 way power input/NMEA 0183/external switch
VHF transceiver	AIS transmitter x 1
	AIS receiver x 2 (one receiver time shared between AIS and DSC)
	Frequency: 156.025 to 162.025 MHz in 25 kHz steps
Output power	33 dBm $\pm$ 1.5 dB
Channel bandwidth	25 kHz
Channel step	25 kHz
Modulation modes	25 kHz GMSK (AIS, Tx and Rx)
	25 kHz AFSK (DSC, Rx only)

Bit rate	9600 b/s $\pm$ 50 ppm (GMSK)
	1200 b/s $\pm$ 30 ppm (FSK)
RX sensitivity	Less than -107 dBm at 20% PER
	Co-channel 10 dB
	Adjacent channel 70 dB
	IMD 65 dB
	Blocking 84 dB
<b>Parameter</b>	<b>Value</b>
Environmental	Water resistant to IP67
	Operating temperature: -15°C to +55°C
	Tested to IEC 60945 'Protected' category
Indicators	Power, Error, Rx, Tx (silent mode)

<b>Countries of intended use in the EU</b>		
AT - Austria	HU - Hungary	PL - Poland
BE - Belgium	IS - Iceland	PT - Portugal
BG - Bulgaria	IE - Ireland	RO - Romania
CY - Cyprus	IT - Italy	SK - Slovakia
CZ - Czech Republic	LI - Liechtenstein	SL - Slovenia
DK - Denmark	LV - Latvia	ES - Spain
EE - Estonia	LT - Lithuania	SE - Sweden
FI - Finland	LU - Luxembourg	CH - Switzerland
FR - France	MT - Malta	TR - Turkey
DE - Germany	NL - Netherlands	UK - United Kingdom
GR - Greece	NO - Norway	



NOTES:



NOTES:







[www.bandg.com](http://www.bandg.com)  
[www.simrad-yachting.com](http://www.simrad-yachting.com)  
[www.lowrance.com](http://www.lowrance.com)